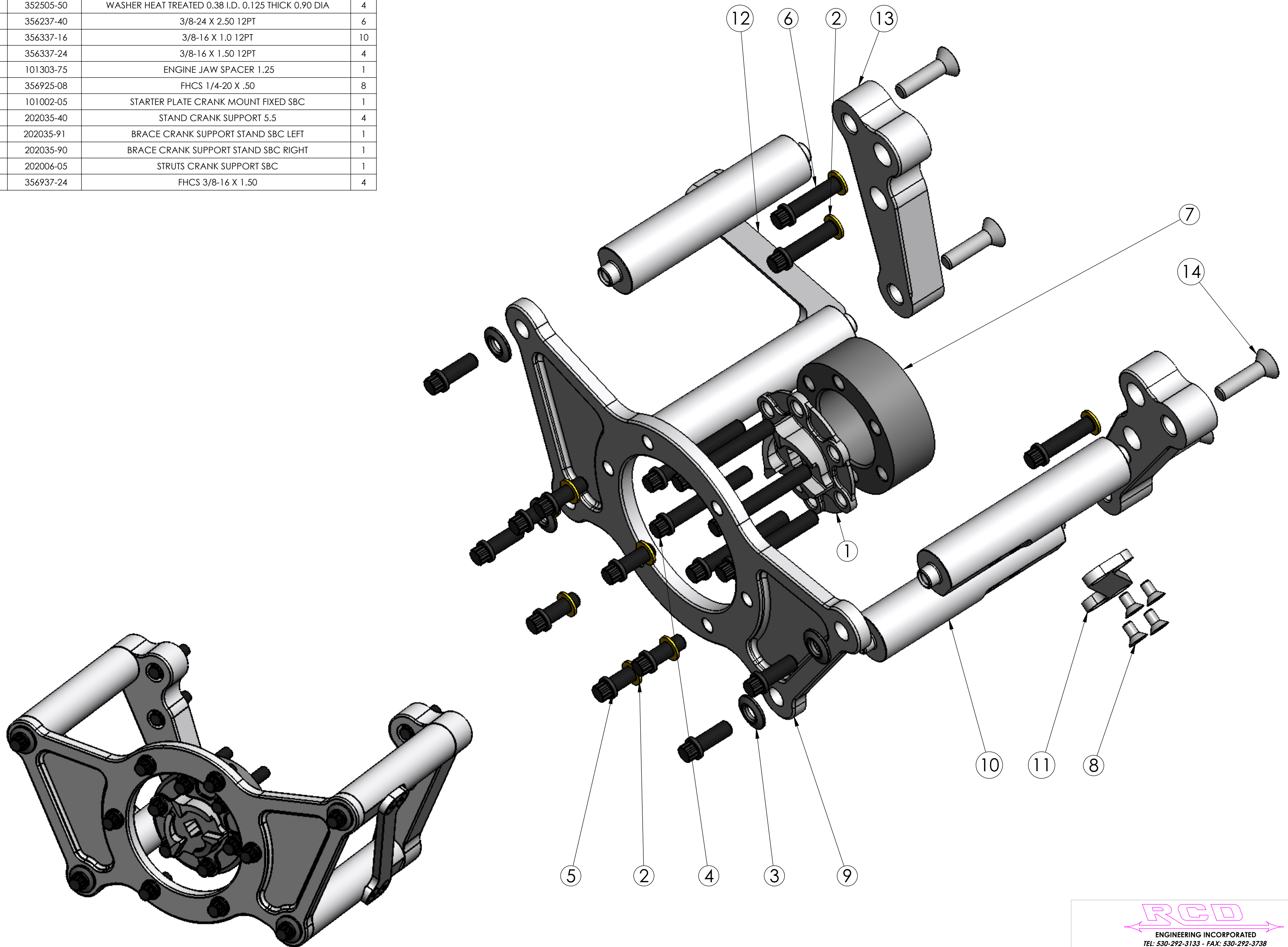


ITEM	PART NO.	DESCRIPTION	QTY.
1	101303-09	ENGINE JAW 6 HOLE	1
2	352503-06	3/8 AN WASHER	10
3	352505-50	WASHER HEAT TREATED 0.38 I.D. 0.125 THICK 0.90 DIA	4
4	356237-40	3/8-24 X 2.50 12PT	6
5	356337-16	3/8-16 X 1.0 12PT	10
6	356337-24	3/8-16 X 1.50 12PT	4
7	101303-75	ENGINE JAW SPACER 1.25	1
8	356925-08	FHCS 1/4-20 X .50	8
9	101002-05	STARTER PLATE CRANK MOUNT FIXED SBC	1
10	202035-40	STAND CRANK SUPPORT 5.5	4
11	202035-91	BRACE CRANK SUPPORT STAND SBC LEFT	1
12	202035-90	BRACE CRANK SUPPORT STAND SBC RIGHT	1
13	202006-05	STRUTS CRANK SUPPORT SBC	1
14	356937-24	FHCS 3/8-16 X 1.50	4



RCD
ENGINEERING INCORPORATED
TEL: 530-292-3133 - FAX: 530-292-3738

FIXED CRANK STARTER DRIVE BLOWN SBC